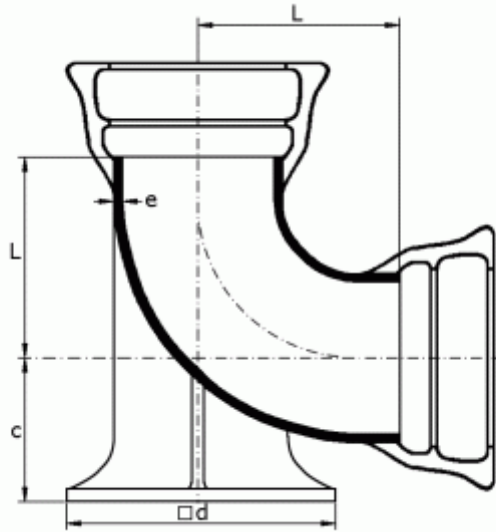




●Type T Double Socket 90° Duckfoot Bend



Unit: mm

DN	e	L	c	d	Weight (kg)
80	7.0	100	110	180	11.6
100	7.2	120	125	200	15.7
150	7.8	170	160	250	32.0
200	8.4	220	190	300	47.3
250	9.0	270	225	350	71.6
300	9.6	320	255	400	102.4
350	10.2	370	290	450	139.1
400	10.8	420	320	500	187.2
450	11.4	470	355	550	240.1
500	12.0	520	385	600	306.4
600	13.2	620	450	700	456.3
700	14.4	720	515	800	665.6
800	15.6	820	580	900	910.0
900	16.8	920	645	1000	1207.0
1000	18.0	1020	710	1100	1518.1
1100	19.2	1120	775	1200	1868.8
1200	20.4	1220	840	1300	2247.4